

7-Segment Anzeige

9mm

7-Segment Display

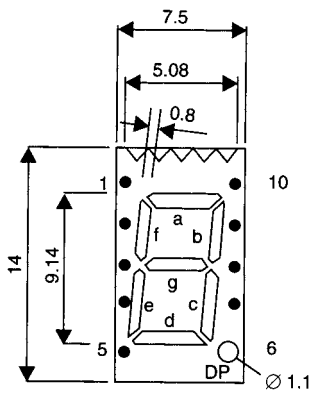
9mm

Type	Material	Wellenlänge	Emittierende	Lichtstärke	Bezeichnung
Type	Material	Wavelength	Farbe	Luminous Intensity	Description
		typ. λ_{Peak} [nm]	Emitting Colour	I_V [μcd], $I_F=10\text{mA}$	
				Min. – Typ	
LA3651-11EWAK	GaP	700	Red	400 – 600	Common Anode
LA3621-11EWAK	GaP	567	Green	1.400 – 2.300	Common Anode
LA3631-11EWAK	GaAsP/GaP	585	Yellow	1.100 – 1.800	Common Anode
LA3641-11EWAK	GaAsP/GaP	635	Super-Red	1.600 – 2.600	Common Anode
LA3641R-11RRAK	GaAsP/GaP	635	Hi.-Eff.-Red	1.600 – 2.600	Common Anode
LA3671-11EWAK	GaAlAs/GaAs	660	Hyper-Red	6.100 – 14.500	Common Anode
LA36B1-11EWAK	InGaN	470	Super-Blue	5.500 – 13.000	Common Anode
LC3651-11EWAK	GaP	700	Red	400 – 600	Common Cathode
LC3621-11EWAK	GaP	567	Green	1.400 – 2.300	Common Cathode
LC3631-11EWAK	GaAsP/GaP	585	Yellow	1.100 – 1.800	Common Cathode
LC3641-11EWAK	GaAsP/GaP	635	Super-Red	1.600 – 2.600	Common Cathode
LC3641R-11RRAK	GaAsP/GaP	635	Hi.-Eff.-Red	1.600 – 2.600	Common Cathode
LC3671-11EWAK	GaAlAs/GaAs	660	Hyper-Red	6.100 – 14.500	Common Cathode
LC36B1-11EWAK	InGaN	470	Super-Blue	5.500 – 13.000	Common Cathode

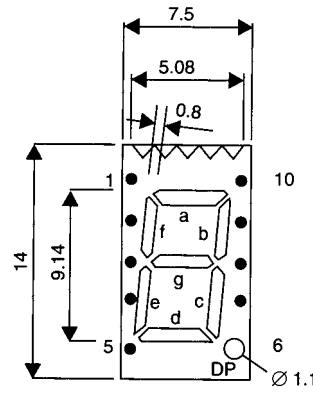
Auf Anfrage auch als UHB-Variante lieferbar./On request also available as an UHB-type.

LA36x1-11-Serie

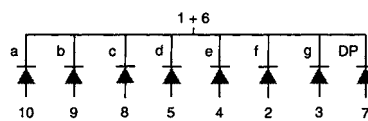
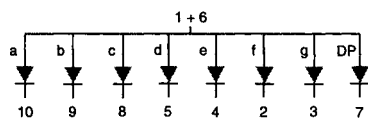
LC36x1-11-Serie



7.5 x 14 x 8.5 mm³



7.5 x 14 x 8.5 mm³



1. Alle Abmessungen sind in [mm] angegeben. Die Toleranz beträgt $\pm 0,25\text{mm}$, sofern nicht anders angegeben

1. All dimensions are in [mm], Tolerance is $\pm 0.25\text{mm}$ unless otherwise noted.