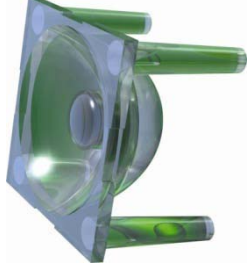
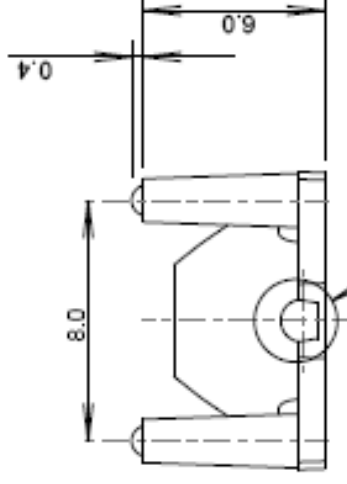
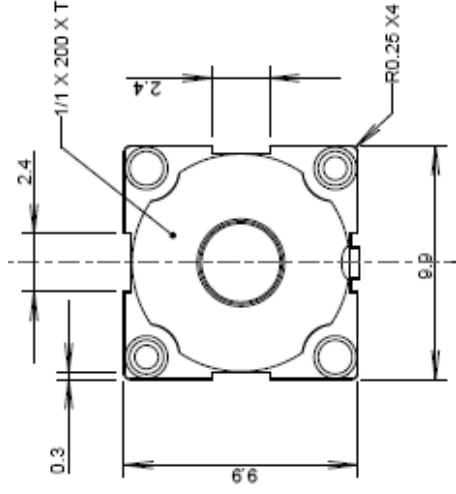


Cree® XP 10mm range

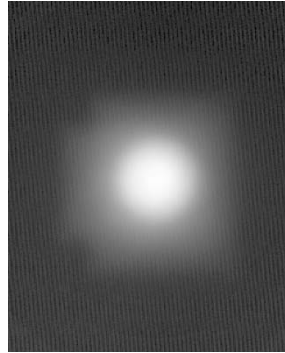
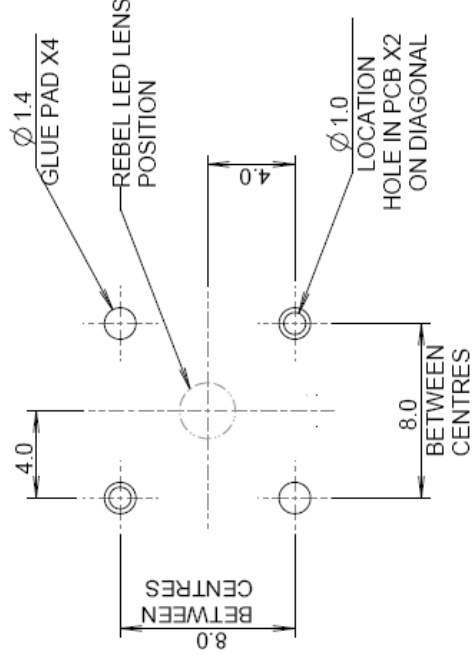


Part No.	Description	White		
		FWHM*	EFF	Cd/lm
10412	Plain medium Flat front	16.5	91.8%	9.3
10417	Plain medium Lens front	16.4	88.7%	9.8
10413	Frosted medium	25.9	87.2%	3.2
10414	Frosted Wide	36.7	80%	1.66
10415	Elliptical	43 X 16	88.1%	3.5

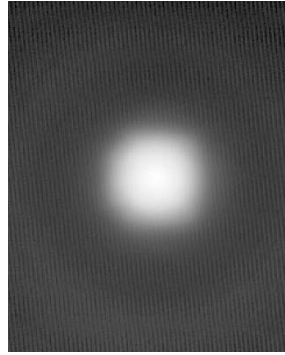
*Full Width Half Maximum i.e. total viewing angle



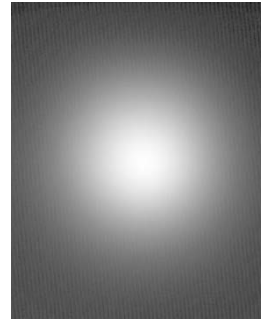
PCB GLUE PAD AND ALIGNMENT HOLE LAYOUT DIMENSIONS



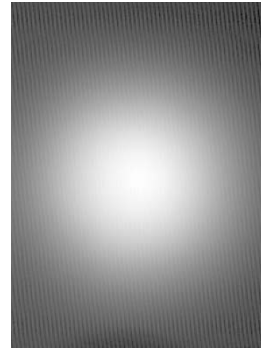
10412



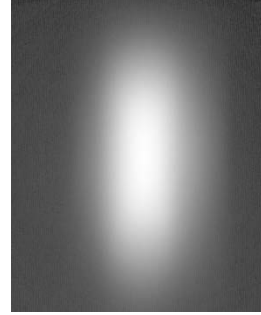
10417



10413



10414



10415