
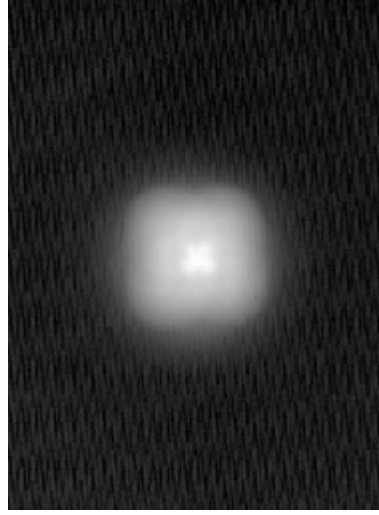
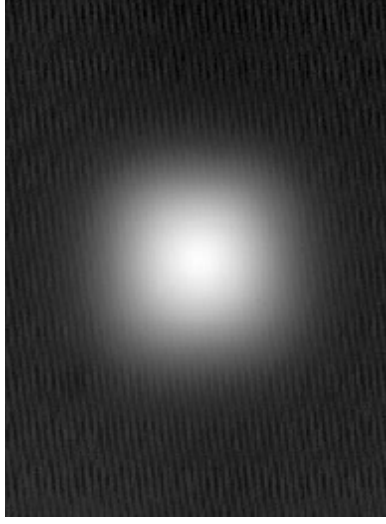


26.5mm OPTIC

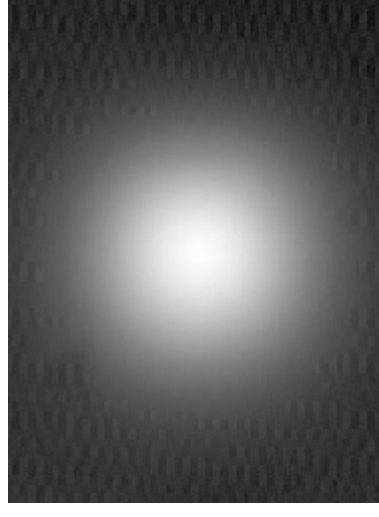
MANUFACTURER	TYPE	CARCLO OPTIC		Eff		FWHM	Cd/lm
		Part No.	TYPE	%	Deg		
Cree	 MC-E	10391	Plain Tight	83.9	15.2	10.4	
		10392	Narrow Frosted	81.3	18.7	6.6	
		10393	Medium Frosted	77.8	26.1	3.2	
WHITE HOLDERS		BLACK HOLDERS					
4.3 PEG Not stocked	2.0 PEG Not stocked	4.3 PEG Not Stocked	2.0 PEG Not stocked	0.8 PEG Stocked			
10446	10456	10466	10476	10486	10496		



10391



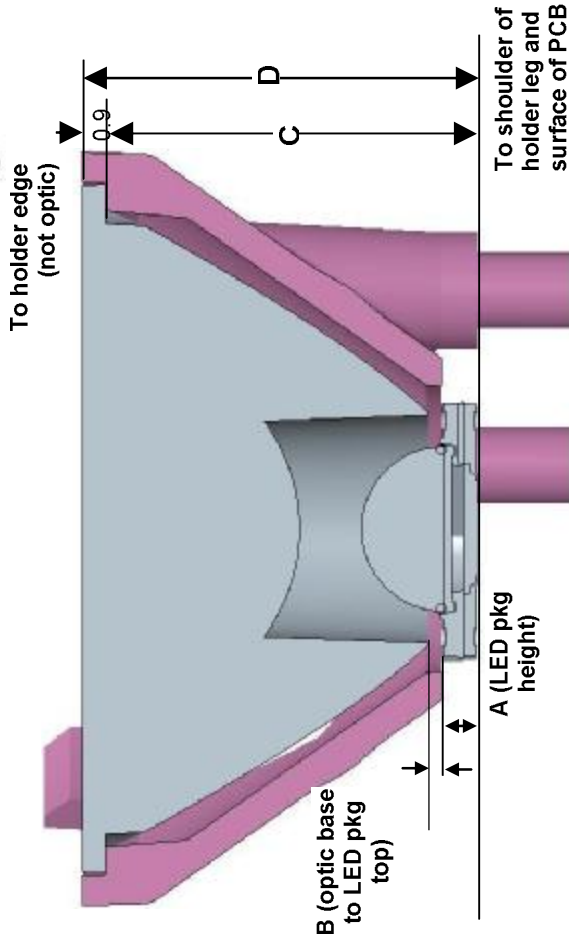
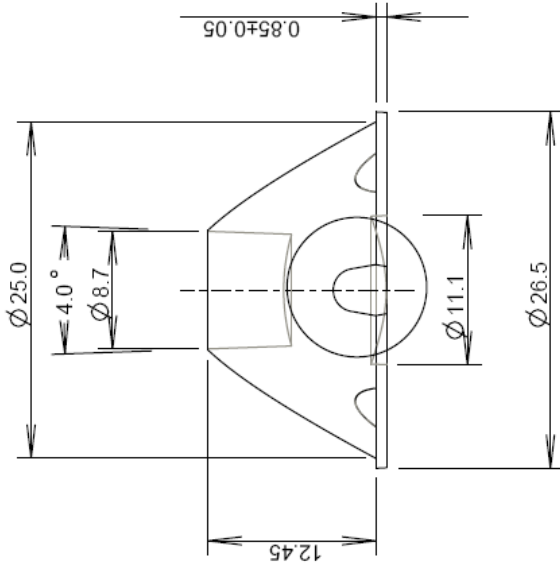
10392



10393

26.5mm Holder details

Part No.	TYPE
10391	Plain Tight
10392	Narrow Frosted
10393	Medium Frosted
10394	Wide Frosted
10395	Elliptical
10396	Elliptical Ortho



Notes:

- CARCLO multi-chip holder compatible with LED package mounted on 19.9mm (across flats) star board, otherwise drill holes on PCB for location pegs on legs. Refer to Drawing 60475 for hole separation
- The multichip holder leg height includes an extra 1.0mm for the AcuLED since only a 13mm (across flats) star board is available. The CARCLO holder reaches over the AcuLED star board so that the holder sits directly on the PCB (and not the star board).

26.5mm holder location holes

