



A New Lighting Experience



- overload protection
- overheating protection
- short circuiting protection
- 50,000 hrs service life time

## LED Converters

### LEDLine EDX

Electronic converters  
for voltage driven LED modules

### Vossloh-Schwabe Deutschland GmbH

Hohe Steinert 8 · 58509 Lüdenscheid, Germany · Phone: +49 (0) 23 51/101-0  
Fax: +49 (0) 23 51/101-217 + -384 · www.vossloh-schwabe.com

## LEDLine EDXe 110

### Electronic converter for Light Emitting Diodes

The very small disc-form control component was principally developed for individual applications. It can be integrated into a luminaire or be housed in a flush box. VS converters are electronically protected against overload, overheating and short-circuiting.



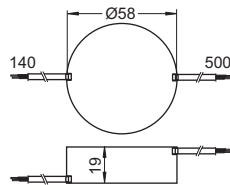
Shape: dia. 58x19 mm  
 Weight: 70 g  
 Mains voltage: 230/240 V  
 Mains frequency: 50–60 Hz  
 Protection against "no load" operation  
 Protection class II  
 SELV-equivalent  
 Power factor: 0.5

EN 61347-1; EN 61347-2-13 (Safety)  
 EN 61000-3-2 (Mains Harmonics)  
 EN 55015 (Non radio disturbance)  
 EN 61547 (EMC Immunity Requirements)

Service life time: 50,000 hrs  
 permanent operation when maximum temperature  $t_{cmax}$  at  $t_c$  point will not be exceeded;  
 failure rate: < 0.2% per 1,000 hrs

### Converter EDXe 110

Output: 0.1–10 W  
 Voltage output: 24 V  $\pm$ 1 V  
 Output current: 0.4 A  
 Ambient temperature  $t_a$ : 0 to 45 °C  
 Casing temperature  $t_c$ : 80 °C  
 Leads, white:  
 prim.: 2x0.75 mm<sup>2</sup>, length: 150 mm  
 sec.: 2x0.75 mm<sup>2</sup>, length: 478 mm  
 brown: +  
 blue: -



Degree of protection: IP20

**Ref. No.: 186055**

The values contained in this data sheet can change due to technical innovations. Any such changes will be made without separate notification. Please find further detailed information at [www.vsslosh-schwabe.com](http://www.vsslosh-schwabe.com).

## LEDLine EDXe 120

### Electronic converters for Light Emitting Diodes

Vossloh-Schwabe's LEDLine EDXe 120/24 V converter is a control component with a voltage output of 24 V and an output of up to 20 W for operating LED applications. The converter is pre-assembled with a mains lead on primary side for easy connection. The converter is electronically protected against overload, overheating and short-circuiting.



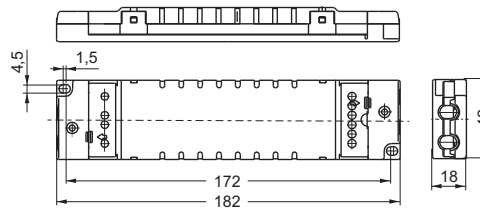
Shape: 182x42x18 mm  
 Weight: 155 g  
 Mains voltage: 220/240 V  
 Mains frequency: 50–60 Hz  
 Protection against "no load" operation  
 Protection class II  
 SELV-equivalent  
 Degree of protection: IP20  
 Power factor: 0.5

EN 61347-1; EN 61347-2-13 (Safety)  
 EN 61000-3-2 (Mains Harmonics)  
 EN 55015 (Non radio disturbance)  
 EN 61547 (EMC Immunity Requirements)

Service life time: 50,000 hrs  
 permanent operation when maximum temperature  $t_{cmax}$  at  $t_c$  point will not be exceeded;  
 failure rate: < 0.2% per 1,000 hrs

### Converter EDXe 120

Output: 0.1–20 W  
 Voltage output: 24 V  $\pm$ 0.5 V  
 Output current: 0.85 A  
 Ambient temperature  $t_a$ : 0 to 45 °C  
 Casing temperature  $t_c$ : 75 °  
 Connections:  
 prim.: mains connection cable, length: 1.48 m  
 sec.: screw terminals 1.5 mm<sup>2</sup>



### Ref. No.: 186129

The values contained in this data sheet can change due to technical innovations. Any such changes will be made without separate notification. Please find further detailed information at [www.vossloh-schwabe.com](http://www.vossloh-schwabe.com).

# LEDLine EDXe 130

## Electronic converters for Light Emitting Diodes

Vossloh-Schwabe's LEDLine EDXe 130 converter is a control component with a voltage output of 12 or 24 V and an output of up to 30 W for operating LED applications. The converters are electronically protected against overload, overheating and short-circuiting.



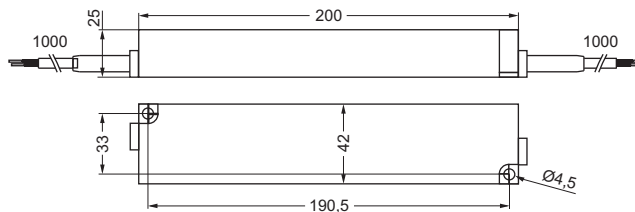
Shape: 200x42x25 mm  
 Fixing distance: 190.5 mm  
 Weight: 495 g  
 Mains voltage: 110/240 V  
 Mains frequency: 50–60 Hz  
 Mains current: 330/150 mA  
 Protection against "no load" operation  
 Ambient temperature  $t_a$ : -20 to 60 °C  
 Casing temperature  $t_c$ : 85 °C  
 Output: 6–30 W  
 Degree of protection: Casing IP54  
 Protection class I  
 SELV-equivalent  
 Power factor: 0.95

EN 61347-1; EN 61347-2-13 (Safety)  
 EN 61000-3-2 (Mains Harmonics)  
 EN 55015 (Non radio disturbance)  
 EN 61547 (EMC Immunity Requirements)

Service life time: 50,000 hrs  
 permanent operation when maximum temperature  $t_{cmax}$ . at  $t_c$  point will not be exceeded;  
 failure rate: < 0.2% per 1,000 hrs

### Converter EDXe 130/24 V

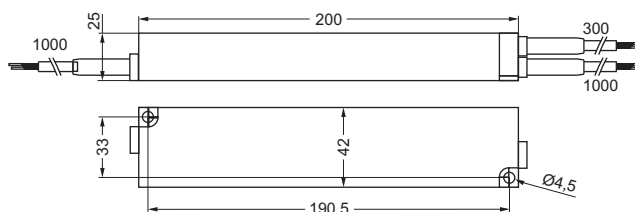
Voltage output: 24 V  $\pm$ 0.5 V  
 Output current: 1.25 A  
 Conductor cross section 0.75 mm<sup>2</sup>  
 prim.: three-core with earth terminal, length: 1 m, brown: L1, blue: N, yellow/green: earth  
 sec.: 1 connection lead, length: 1 m, brown: +, blue: -



**Ref. No.: 186058**

### Converter EDXe 130/12 V

Voltage output: 12 V  $\pm$ 0.5 V  
 Output current: 0.5–2.5 A  
 Conductor cross section 0.75 mm<sup>2</sup>  
 prim.: three-core with earth terminal, length: 1 m, brown: L1, blue: N, yellow/green: earth  
 sec.: 2 connection leads, length: 1 m/0.3 m, brown: +, blue: -



**Ref. No.: 186107** VDE

**Ref. No.: 186106** UL

The values contained in this data sheet can change due to technical innovations. Any such changes will be made without separate notification. Please find further detailed information at [www.vs-optoelectronic.com](http://www.vs-optoelectronic.com).

# LEDLine EDXe 170/24 V

## Electronic converters for Light Emitting Diodes

Vossloh-Schwabe's LEDLine EDXe 170/24 V converter is a control component with a voltage output of 24 V and an output of up to 70 W for operating LED applications.

The converters are electronically protected against overload, overheating and short-circuiting.



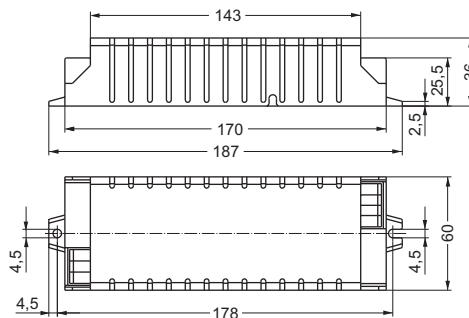
Mains voltage: 220/240 V  
Mains frequency: 50–60 Hz  
Mains current: 360/310 mA  
Protection against "no load" operation  
Degree of protection: IP20  
Protection class I  
SELV-equivalent  
Power factor: 0.97

EN 61347-1; EN 61347-2-13 (Safety)  
EN 61000-3-2 (Mains Harmonics)  
EN 55015 (Non radio disturbance)  
EN 61547 (EMC Immunity Requirements)

Service life time: 50,000 hrs  
permanent operation when maximum temperature  $t_{cmax}$  at  $t_c$  point will not be exceeded;  
failure rate: < 0.2% per 1,000 hrs

### Converter EDXe 170/24 V

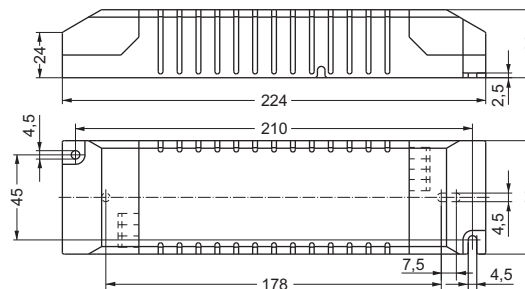
Shape: 170x60x36 mm  
Fixing distance: 178 mm  
Weight: 340 g  
Ambient temperature  $t_a$ : -20 to 45 °C  
Casing temperature  $t_c$ : 70 °C  
Output: 0–70 W  
Voltage output: 24 V  $\pm$ 0.48 V  
Output current: 0–2.9 A  
Push-in terminals with push button:  
2.5 mm<sup>2</sup> solid lead



**Ref. No.: 186103**

### Converter EDXe 170/24 V with cord grip

Shape: 224x60x36 mm  
Fixing distance: 210 mm  
Weight: 360 g  
Ambient temperature  $t_a$ : -20 to 45 °C  
Casing temperature  $t_c$ : 70 °C  
Output: 0–70 W  
Voltage output: 24 V  $\pm$ 0.48 V  
Output current: 0–2.9 A  
Push-in terminals with push button:  
2.5 mm<sup>2</sup> solid lead  
Cord grip approved for  
mains leads: HO3 WF 3x0.75 mm<sup>2</sup>  
or NYM 3x1.5 mm<sup>2</sup>  
output leads: SIHY-Cu 4x1 mm<sup>2</sup>  
or SIHS-Cu 4x1 mm<sup>2</sup>



**Ref. No.: 186104**

The values contained in this data sheet can change due to technical innovations. Any such changes will be made without separate notification. Please find further detailed information at [www.vs-optoelectronic.com](http://www.vs-optoelectronic.com).

# LEDLine EDXe 170/24 V IP67

## Electronic converters for Light Emitting Diodes

Vossloh-Schwabe's LEDLine EDXe 170/24 V IP67 converter is a control component with a voltage output of 24 V and an output of up to 70 W for operating LED applications.

The converter is electronically protected against overload, overheating and short-circuiting.

Mains voltage: 220/240 V  
 Mains frequency: 50–60 Hz  
 Mains current: 360/310 mA  
 Protection against "no load" operation  
 Degree of protection: casing IP67  
 Protection class I  
 SELV-equivalent  
 Power factor: 0.97



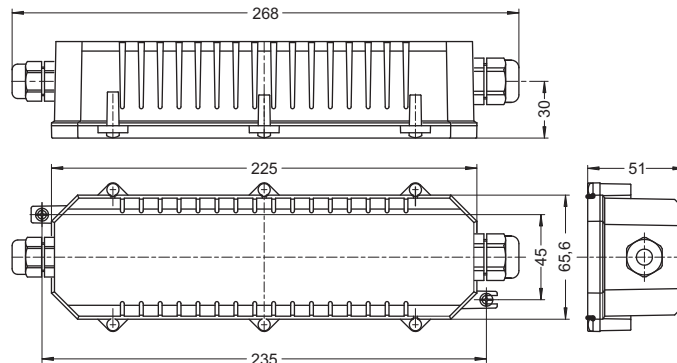
EN 61347-1; EN 61347-2-13 (Safety)  
 EN 61000-3-2 (Mains Harmonics)  
 EN 55015 (Non radio disturbance)  
 EN 61547 (EMC Immunity Requirements)

Service life time: 50,000 hrs  
 permanent operation when maximum temperature  
 $t_{cmax}$  at  $t_c$  point will not be exceeded;  
 failure rate: < 0.2% per 1,000 hrs

### Converter EDXe 170/24 V IP67

Shape: 225x65.6x51 mm  
 Fixing distance: 235 mm  
 Weight: 515 g  
 Ambient temperature  $t_a$ : -20 to 45 °C  
 Casing temperature  $t_c$ : 70 °C  
 Output: 0–70 W  
 Voltage output: 24 V  $\pm$ 0.48 V  
 Output current: 0–2.9 A  
 Pre-assembled connection:  
 prim.: 3x1 mm<sup>2</sup>, H05RN-F, 500 mm  
 sec.: 2x2 mm<sup>2</sup>, SO7RN-F, 500 mm

**Ref. No.: 186105**



# LEDLine EDXe 170/12 V

## Electronic converters for Light Emitting Diodes

Vossloh-Schwabe's LEDLine EDXe 170/12 V converter is a control component with a voltage output of 12 V and an output of up to 70 W for operating LED applications.

The converters are electronically protected against overload, overheating and short-circuiting.



Mains voltage: 220/240 V  
Mains frequency: 50–60 Hz  
Mains current: 365/335 mA  
Protection against "no load" operation  
Degree of protection: IP20  
Protection class I  
SELV-equivalent  
Power factor: 0.97

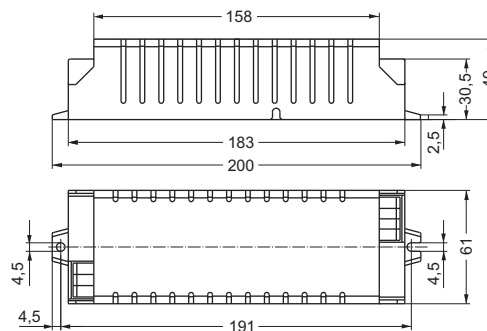
EN 61347-1; EN 61347-2-13 (Safety)  
EN 61000-3-2 (Mains Harmonics)  
EN 55015 (Non radio disturbance)  
EN 61547 (EMC Immunity Requirements)

Service life time: 50,000 hrs  
permanent operation when maximum temperature  $t_{cmax}$  at  $t_c$  point will not be exceeded;  
failure rate: < 0.2% per 1,000 hrs

### Converter EDXe 170/12 V

Shape: 183x61x49 mm  
Fixing distance: 191 mm  
Weight: 340 g  
Ambient temperature  $t_a$ : -20 to 45 °C  
Casing temperature  $t_c$ : 70 °C  
Output: 0–70 W  
Voltage output: 12.1 V  $\pm$ 0.24 V  
Output current: 0–5.8 A  
Push-in terminals with push button:  
2.5 mm<sup>2</sup> solid lead

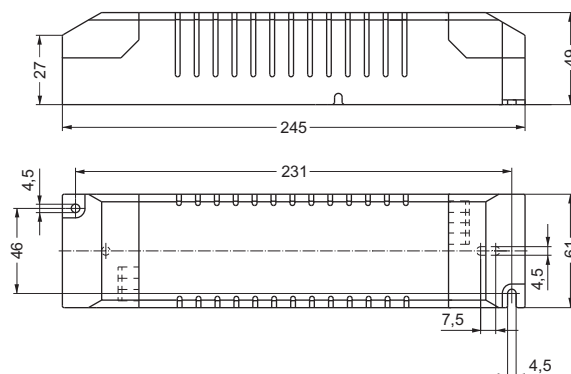
**Ref. No.: 186112**



### Converter EDXe 170/12 V with cord grip

Shape: 245x61x49 mm  
Fixing distance: 231 mm  
Weight: 360 g  
Ambient temperature  $t_a$ : -20 to 45 °C  
Casing temperature  $t_c$ : 70 °C  
Output: 0–70 W  
Voltage output: 12.1 V  $\pm$ 0.24 V  
Output current: 0–5.8 A  
Push-in terminals with push button:  
2.5 mm<sup>2</sup> solid lead  
Cord grip approved for  
mains leads: HO3 WF 3x0.75 mm<sup>2</sup>  
or NYM 3x1.5 mm<sup>2</sup>  
output leads: SIHY-Cu 4x1 mm<sup>2</sup>  
or SIHS-Cu 4x1 mm<sup>2</sup>

**Ref. No.: 186113**



The values contained in this data sheet can change due to technical innovations. Any such changes will be made without separate notification. Please find further detailed information at [www.vs-optoelectronic.com](http://www.vs-optoelectronic.com).

## LEDLine EDXe 170/12 V IP67

### Electronic converters for Light Emitting Diodes

Vossloh-Schwabe's LEDLine EDXe 170/12 V IP67 converter is a control component with a voltage output of 12 V and an output of up to 70 W for operating LED applications.

The converter is electronically protected against overload, overheating and short-circuiting.

Mains voltage: 220/240 V  
Mains frequency: 50–60 Hz  
Mains current: 365/335 mA  
Protection against "no load" operation  
Degree of protection: IP67  
Protection class I  
SELV-equivalent  
Power factor: 0.97



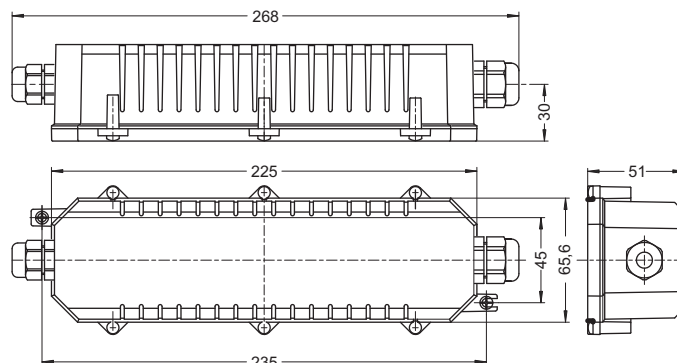
EN 61347-1; EN 61347-2-13 (Safety)  
EN 61000-3-2 (Mains Harmonics)  
EN 55015 (Non radio disturbance)  
EN 61547 (EMC Immunity Requirements)

Service life time: 50,000 hrs  
permanent operation when maximum temperature  
 $t_{cmax}$  at  $t_c$  point will not be exceeded;  
failure rate: < 0.2% per 1,000 hrs

### Converter EDXe 170/12 V IP67

Shape: 225x65.6x51 mm  
Fixing distance: 235 mm  
Weight: 515 g  
Ambient temperature  $t_a$ : -20 to 45 °C  
Casing temperature  $t_c$ : 70 °C  
Output: 0–70 W  
Voltage output: 12.1 V  $\pm$ 0.24 V  
Output current: 0–5.8 A  
Pre-assembled connection:  
prim.: 3x1 mm<sup>2</sup>, H05RN-F, 500 mm  
sec.: 2x2 mm<sup>2</sup>, SO7RN-F, 500 mm

**Ref. No.: 186114**



# LEDLine EDXe 1130/24 V

## Electronic converters for Light Emitting Diodes

Vossloh-Schwabe's LEDLine EDXe 1130/24 V converter is a control component with a voltage output of 24 V and an output of up to 130 W for operating LED applications.

The converters are electronically protected against overload, overheating and short-circuiting.



Mains voltage: 220/240 V  
Mains frequency: 50–60 Hz  
Mains current: 640/585 mA  
Protection against "no load" operation  
Degree of protection: IP20  
Protection class I  
SELV  
Power factor: 0.98

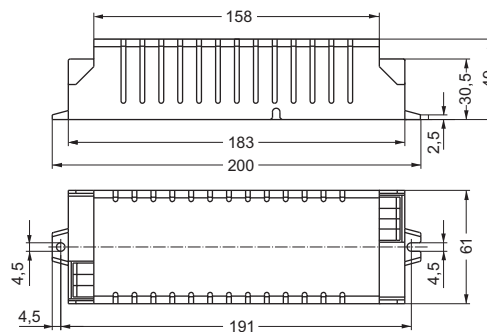
EN 61347-1; EN 61347-2-13 (Safety)  
EN 61000-3-2 (Mains Harmonics)  
EN 55015 (Non radio disturbance)  
EN 61547 (EMC Immunity Requirements)

Service life time: 50,000 hrs  
permanent operation when maximum temperature  
 $t_{cmax}$  at  $t_c$  point will not be exceeded;  
failure rate: < 0.2% per 1,000 hrs

### Converter EDXe 1130/24 V

Shape: 183x61x49 mm  
Fixing distance: 194.5 mm  
Weight: 370 g  
Ambient temperature  $t_a$ : -20 to 45 °C  
Casing temperature  $t_c$ : 75 °C  
Output: 0–130 W  
Voltage output: 24 V  $\pm$ 0.48 V  
Output current: 0–5.4 A  
Push-in terminals with push button:  
2.5 mm<sup>2</sup> solid lead

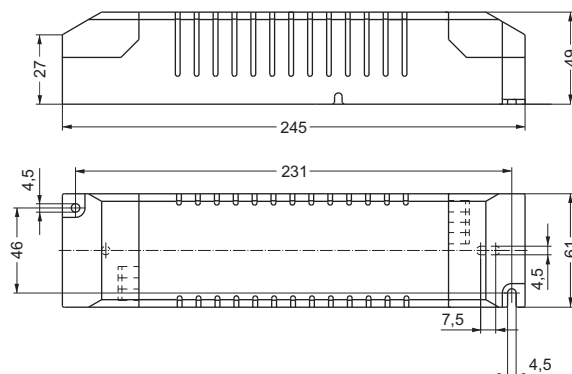
**Ref. No.: 186131**



### Converter EDXe 1130/24 V with cord grip

Shape: 245x61x49 mm  
Fixing distance: 231 mm  
Weight: 390 g  
Ambient temperature  $t_a$ : -20 to 45 °C  
Casing temperature  $t_c$ : 75 °C  
Output: 0–130 W  
Voltage output: 24.1 V  $\pm$ 0.48 V  
Output current: 0–5.4 A  
Push-in terminals with push button:  
2.5 mm<sup>2</sup> solid lead  
Cord grip approved for  
mains leads: HO3 WF 3x0.75 mm<sup>2</sup>  
or NYM 3x1.5 mm<sup>2</sup>  
output leads: SIHY-Cu 4x1 mm<sup>2</sup>  
or SIHS-Cu 4x1 mm<sup>2</sup>

**Ref. No.: 186132**



The values contained in this data sheet can change due to technical innovations. Any such changes will be made without separate notification. Please find further detailed information at [www.vs-optoelectronic.com](http://www.vs-optoelectronic.com).

# LEDLine EDXe 1130/24 V IP67

## Electronic converters for Light Emitting Diodes

Vossloh-Schwabe's LEDLine EDXe 1130/24 V IP67 converter is a control component with a voltage output of 24 V and an output of up to 130 W for operating LED applications.

The converter is electronically protected against overload, overheating and short-circuiting.

Mains voltage: 220/240 V  
 Mains frequency: 50–60 Hz  
 Mains current: 640/585 mA  
 Protection against "no load" operation  
 Degree of protection: IP67  
 Protection class I  
 SELV  
 Power factor: 0.98



EN 61347-1; EN 61347-2-13 (Safety)  
 EN 61000-3-2 (Mains Harmonics)  
 EN 55015 (Non radio disturbance)  
 EN 61547 (EMC Immunity Requirements)

Service life time: 50,000 hrs  
 permanent operation when maximum temperature  
 $t_{cmax}$  at  $t_c$  point will not be exceeded;  
 failure rate: < 0.2% per 1,000 hrs

## Converter EDXe 1130/24 V IP67

Shape: 225x65.6x51 mm  
 Fixing distance: 235 mm  
 Weight: 545 g  
 Ambient temperature  $t_a$ : -20 to 45 °C  
 Casing temperature  $t_c$ : 70 °C  
 Output: 0–130 W  
 Voltage output: 24.1 V  $\pm$ 0.48 V  
 Output current: 0–5.4 A  
 Pre-assembled connection:  
 prim.: 3x1 mm<sup>2</sup>, H05RN-F, 500 mm  
 sec.: 2x2 mm<sup>2</sup>, SO7RN-F, 500 mm

**Ref. No.: 186133**

