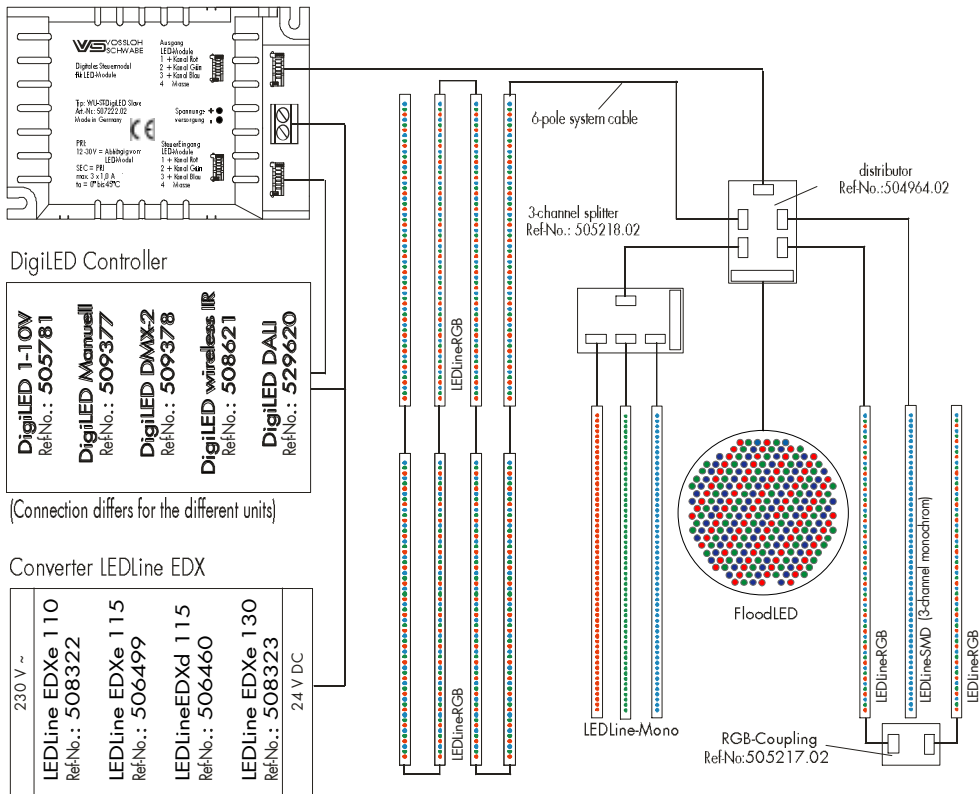




Systemscheme:

DigiLED Slave



 The packing of several cable lengths is possible upon request.
The cable is also available as a shielded wire! 

Operating Instructions

DigiLED Slave

1 Introduction

1.1 Product Description

The DigiLED Slave has been designed to increase the performance of the entire system in comprehensive lighting systems of the DigiLED family. Every DigiLED Slave has its own supply voltage connection and can thus be loaded with max. 1 A per channel at the output side like the DigiLED controls (see chapter 2 et. seq.). However, the DigiLED connected in series (DigiLED 1-10V, DigiLED Manuell, DigiLED DALI or DigiLED DMX) which sends the control signal is still responsible for the control of the lighting scenarios.

1.2 Scope of Delivery

Please check the delivery for completeness and transport damage when you unpack the device. You should have received the following items:

- 1 WU-ST-DigiLED Slave
- 1 Short Instructions

1.3 Safety Instructions

Please ensure a good electrical connection of all cables and plugs and the compliance with the ESD regulations!

- + this product serves exclusively for the operation of the LEDLine, FloodLED and Marker LED module family
- + the DigiLED Slave may only be used indoors
- + install all components in de-energized state
- + only qualified personnel may open the casing
- + immediately contact your distributor in case of damage or failure
- + pay particular attention to the maximum demand of supply and select the respective connection cables, if appropriate
- + ensure the correct polarity when you connect the supply voltage

2 Functions, Connections and Assembly

2.1 Functional Description

The DigiLED Slave has no own operating elements and has been designed to increase the performance of the entire system in comprehensive lighting systems of the DigiLED family (see "Example of a System Design"). Every DigiLED Slave has its own supply voltage connection and can thus be loaded with max. 1 A per channel at the output side like the DigiLED controls. However, the DigiLED connected in series (DigiLED 1-10V, DigiLED Manuell, DigiLED DALI or DigiLED DMX) which sends the control signal is still responsible for the control of the lighting versions or programmed lighting scenarios.

2.2 Connection Scheme

Figure 1 shows the connection scheme of the DigiLED Slave. The connections of the module are one 2-pole screw terminal (B) for the supply voltage, one system plug (C) as input for a DigiLED connected in series (DigiLED 1-10V, DigiLED Manuell, DigiLED DALI, DigiLED DMX or several DigiLED Slave which can be connected in series) as well as another system plug (A) as output to the LED modules. The number of the controllable modules depends on the power consumption of the lighting modules where a total of max. 1.0 A must not be exceeded per channel.

2.3 Assembly

The DigiLED Slave can be mounted on a firm base using 4 mm bolts in the two recesses which are diagonally located.

2.4 Malfunctions

When problems or malfunctions occur during the operation of the device, please check if all wires and plugs are connected as described in chapter 2. If you are unable to find any obvious defects, please contact your distributor. Do not attempt to repair the device yourself, under any circumstance.

2.5 EMC & CE

The DigiLED Slave complies with the lighting standards regarding electromagnetic compatibility (EMC) and is certified according to CE.

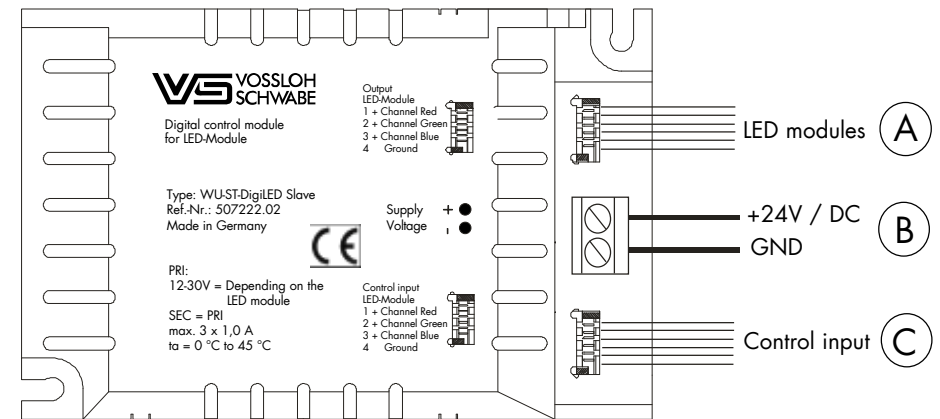


Figure 1: Connection scheme DigiLED Slave

3 Technical Data

Operating Voltage	12 to 30 V DC
Current consumption	3,1 A max.
Fuse protection	T3,15 A; internally
Inputs	2-pole terminal for supply voltage 1 system plug to connect the control device connected in series
Output	1 system plug for 3 controllable PWM ¹ outputs (voltage same as output voltage of power supply connected in series)
Output current	3 x 1,0 A max.
Ambient temperature	0 °C to +45 °C
Humidity	0 to 95% (not condensing)
Casing	Plastics, PC white
Dimensions (LxWxH) in mm	95 x 60 x 30
Weight	57 gr.

PWM¹ = Pulse-width-modulation