



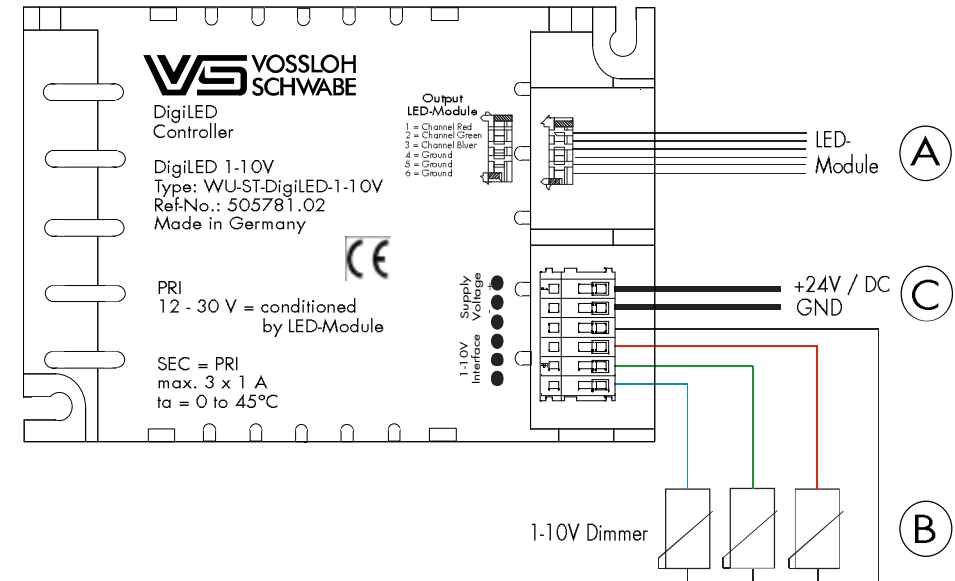
## 2 Functional descriptions

### 2.1 Functions

The system control device DigiLED 1-10V has no own operating elements. The LED modules are controlled by 1-10V dimmers (passive) which are offered by different manufacturers. One dimmer each is required per channel for the operation of the 3 channels Red, Green and Blue. In case of operation without dimmer, all 3 channels will light up with a preset light intensity. We recommend the dimmer EB1-10V (Ref.No.: 172778) manufactured by Vossloh-Schwabe.

### 2.2 Connection Scheme

The figure on the right shows the connection scheme of the DigiLED 1-10V. The connections of the control device are one system plug (A) and one 6-pole plug-in terminal (B/C). The 6-pole plug-in terminal serves for the supply voltage (C) and the 3-channel control interface (Red-Green-Blue) (B) for the 1-10V dimmers. The terminal enables the connection of wire cross sections of up to 1.5 mm<sup>2</sup>. The system plug identified with (A) serves as the power output for connected LEDLine, MarkerLED or FloodLED module. The number of the controllable modules depends on the power consumption of the lighting modules where a total maximum of 1.0 A per channel must not be exceeded. Please ensure a good connection of all connected modules or additional control devices (DigiLED Slave) as well as the compliance with the ESD regulations.



### 2.3 Assembly

The DigiLED 1-10V can be mounted on a firm base using 4 mm bolts in the two recesses which are diagonally located.

### 2.4 Malfunctions

When problems or malfunctions occur during the operation of the device, please check if all wires and plugs are connected as described in chapter 2. If you are unable to find any obvious defects, please contact your distributor. Do not attempt to repair the device yourself, under any circumstance.

### 2.5 EMC & CE

The DigiLED 1-10V complies with the lighting standards regarding electromagnetic compatibility (EMC) and is certified according to CE.

## 3 Technical Data

Operating Voltage	12 to 30 V DC
Current consumption	3,1 A max.
Fuse protection	T 3.15 A; internally
Inputs	2-pole terminal for supply voltage 3 dimmer inputs (1-10V) for passive dimmers
Outputs	1 system plug for 3 controllable PWM <sup>1</sup> outputs (voltage same as output voltage of power supply connected in series)
Output current	3 x 1,0 A max.
Ambient temperature	0°C to +45°C
Humidity	0 to 95 % (not condensing)
Casing	Plastic, PC white
Dimensions (L x W x H) in mm	95 x 60 x 30
Weight	57 gr.

PWM<sup>1</sup> = Pulse-Width-Modulation